

Modbus TCP/IP server 8 Digital Inputs / 8 PNP Outputs

DAT 8188

FEATURES

- Interface Ethernet 10/100 Base-T, Modbus TCP Server
- N.8 Digital inputs
- N.8 PNP outputs
- Built-in Web server to acquire the digital inputs state and drive the digital outputs via web browser
- Remotely programmable
- Connection by removable screw-terminals
- LED signalling for Link/Act Ethernet, power supply
- LED signalling for digital inputs and outputs state
- Galvanic isolation on all the ways
- UL / CE / UKCA mark
- In compliance to EN-50022 DIN rail mounting



GENERAL DESCRIPTION

The device DAT8188 is a Modbus TCP server unit with 8 digital input channels and 8 PNP outputs. For the digital inputs are available up to 4 counters 32 bit with measure of frequency up to 300 Hz. The Ethernet interface allows to read and write in real time the value of device's internal registers.

The built-in Web Server allows the remote visualization and acquisition of the digital inputs state, to drive the digital outputs and access to and configure the main Ethernet parameters via web browser. The device is also configurable by the software *Dev9K*, a free IDE developed by DATEXEL. The device realizes a full electrical isolation between the lines, introducing a valid protection against the effects of all ground loops eventually existing in industrial applications. The LEDs of signalling of Ethernet activity, input and output state and power supply allow a direct monitoring of the system functionality. The connection is made by removable screw-terminals (inputs, outputs and power supply) and RJ45 plug (Ethernet).

The DAT8188 is in compliance with the Directive UL 61010-1 for US market and with the Directive CSA C22.2 No 61010-1 for the Canadian market.

The device is housed in a rough self-extinguishing plastic enclosure which, thanks to its thin profile of 22.5 mm only, allows a high density mounting on EN-50022 standard DIN rail.

USER INSTRUCTIONS

Before to install the device, please read the "Installation Instruction" section. To configure the device use the INIT modality. Connect the terminal INIT to the terminal -V (refer to the User Guide of the device). Connect power supply, Ethernet, digital inputs and relay outputs as shown in the "Wiring" section. The LEDs state depends on the working condition of the device: see the "Light Signalling" section to verify the device working state. To perform configuration and calibration operations, read the instructions in the User Guide of the device.

To simplify handling or replacing of the device, it is possible to remove the wired terminals even with the device powered.

TECHNICAL SPECIFICATIONS (Typical @ 25 °C and in the nominal conditions)

DIGITAL INPUTS (WET CONTACTS)		ETHERNET INTERFACE		GENERAL SPECIFICATIONS	
Channels	8	In compliance with Ethernet IEEE 802.3		Power supply voltage	10 .. 30 Vdc
Input voltage (bipolar)		Network interface Ethernet 10/100Base-T Protocol Modbus TCP Max. cable length 100 meters Number of socket 16		Reverse polarity protection	60 Vdc max
OFF state	0 ÷ 3 V		Current Consumption		290 mA max
ON state	10 ÷ 30 V		ISOLATION (test time : 1 minute)		
Impedance	4.7 KΩ		Power Supply / Ethernet		1500 Vac, 50 Hz
Sample time	5 ms			Inputs / Power supply	1500 Vac, 50 Hz
				Inputs / Ethernet	1500 Vac, 50 Hz
Number of counters	4			Input / Output	1500 Vac, 50 Hz
Counters register bit-length	32 bit	ENVIRONMENTAL CONDITIONS			
Counters frequency	up to 300 Hz			Operative Temperature	-10°C .. +60°C
Minimum pulse width	1 ms			UL Operative Temperature	-10°C .. +40°C
				Storage Temperature	-40°C .. +85°C
				Humidity (not condensed)	0 .. 90 %
				Maximum Altitude	2000 m
				Installation	Indoor
				Category of installation	II
				Pollution Degree	2
				CONNECTIONS	
				Ethernet	RJ-45 (on side)
				Inputs / Outputs	Screw terminal block
				Power Supply	Screw terminal block
				MECHANICAL SPECIFICATIONS	
				Material	Self-extinguish plastic
				IP Code	IP20
				Wiring	wires with diameter 0.8÷2.1 mm ² / AWG 14-18
				Tightening Torque	0.5 N m
				Mounting	in compliance with DIN rail standard EN-50022
				Weight	about 160 g
				EMC (for industrial environments)	
				Immunity	EN 61000-6-2
				Emission	EN 61000-6-4
				UKCA (ref S.I. 2016 N°1091)	
				Immunity	BS EN 61000-6-2
				Emission	BS EN 61000-6-4
				UL	
				US Standard	UL 61010-1
				Canadian Standard	CSA C22.2 No 61010-1
				CCN	NRAQ/NRAQ7
				Typology	Open Type device
				Classification	Industrial Control Equipment
				File Number	E352854
DIGITAL OUTPUT					
Channels	8				
Type	PNP				
Voltage	10.5÷30 Vdc				
Max Load(*) per channel	500 mA				
per module	1 A				
Inductive Load	48 Ω – 2H max				
(*) Protection against over current and temperature Short-circuit current 1.7 A					

INSTALLATION INSTRUCTIONS

The device is suitable for fitting to DIN rails in vertical position.

For optimum operation and long life follow these instructions:

When the devices are installed side by side it is necessary to separate them by at least:

- 10 mm if the UL certification is required.

- 5 mm if the UL certification is not required.

Make sure that sufficient air flow is provided for the device avoiding to place raceways or other objects which could obstruct the ventilation slits. Moreover it is suggested to avoid that devices are mounted above appliances generating heat; their ideal place should be in the lower part of the panel. Install the device in a place without vibrations.

Moreover it is suggested to avoid routing conductors near power signal cables (motors, induction ovens, inverters, etc...) and to use shielded cable for connecting signals.

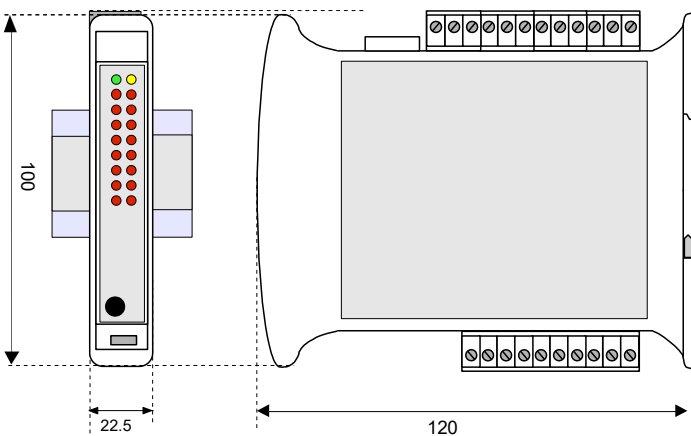
LIGHT SIGNALLING

LED	COLOUR	STATE	DESCRIPTION
PWR	GREEN	ON	Device powered
		OFF	Device not powered
		BLINK	Watchdog alarm
STS	YELLOW	OFF	Device in RUN modality
		BLINK	Device in INIT modality
I n	RED	ON	Digital Inputs High Level (1)
		OFF	Digital Inputs Low Level (0)
O n	RED	ON	Digital Outputs High Level (1)
		OFF	Digital Outputs Low Level (0)

MAPPING MODBUS REGISTERS

Register Position	Description	Access
40002	Firmware [0]	RO
40003	Firmware [1]	RO
40004	Name [0]	R/W
40005	Name [1]	R/W
40007	Node ID	R/W
40011	System Flags	R/W
40012	Power Up / Safe	R/W
40013	Watchdog timer	R/W
40031	Digital Outputs	R/W
40032	Digital Inputs	RO
40033	Digital Inputs Rise Latch	R/W
40034	Digital Inputs Fall Latch	R/W
40035	Freq. Digital Input 0	RO
40036	Freq. Digital Input 1	RO
40037	Freq. Digital Input 2	RO
40038	Freq. Digital Input 3	RO
40039	32 bit Counter Digital Input 0	R/W
40041	32 bit Counter Digital Input 1	R/W
40043	32 bit Counter Digital Input 2	R/W
40045	32 bit Counter Digital Input 3	R/W

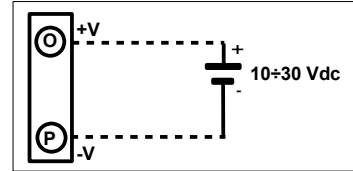
MECHANICAL DIMENSIONS (mm)



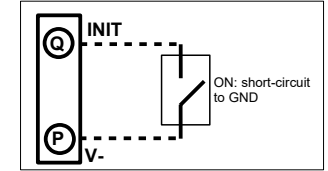
The symbol reported on the product indicates that the product itself must not be considered as a domestic waste. It must be brought to the authorized recycle plant for the recycling of electrical and electronic waste. For more information contact the proper office in the user's city, the service for the waste treatment or the supplier from which the product has been purchased.

WIRING

POWER SUPPLY(*)

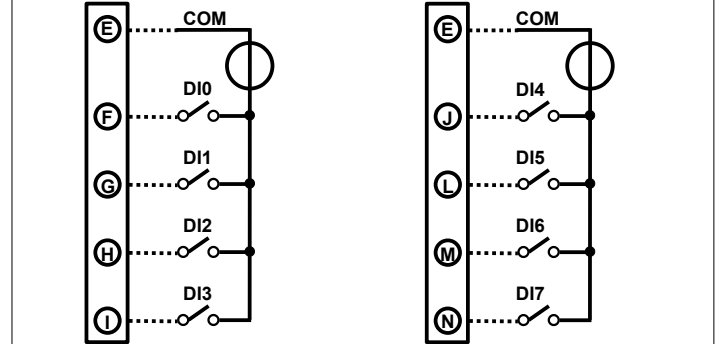


INIT



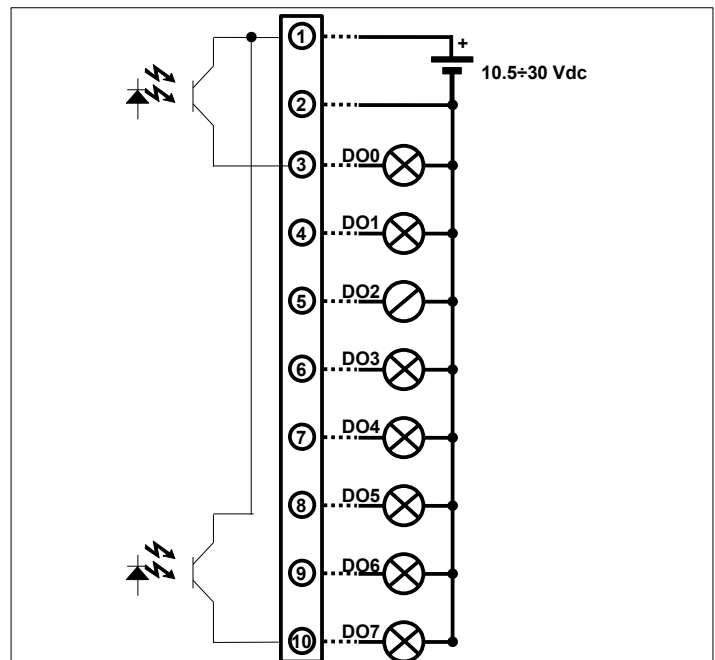
(*) Note: for UL installation the device must be powered using a power supply unit classified NEC class 2 or SELV and Limited Energy

DIGITAL INPUTS



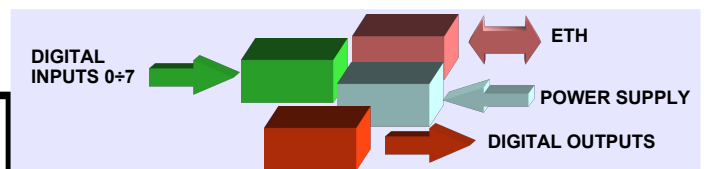
NOTE: the input channels are not isolated between them

DIGITAL OUTPUTS



NOTE: the output channels are not isolated between them

ISOLATION STRUCTURE



HOW TO ORDER

“ DAT 8188 “

Note: the device is provided with default configuration as:

IP address : 192.168.1.100

Modbus address: 1